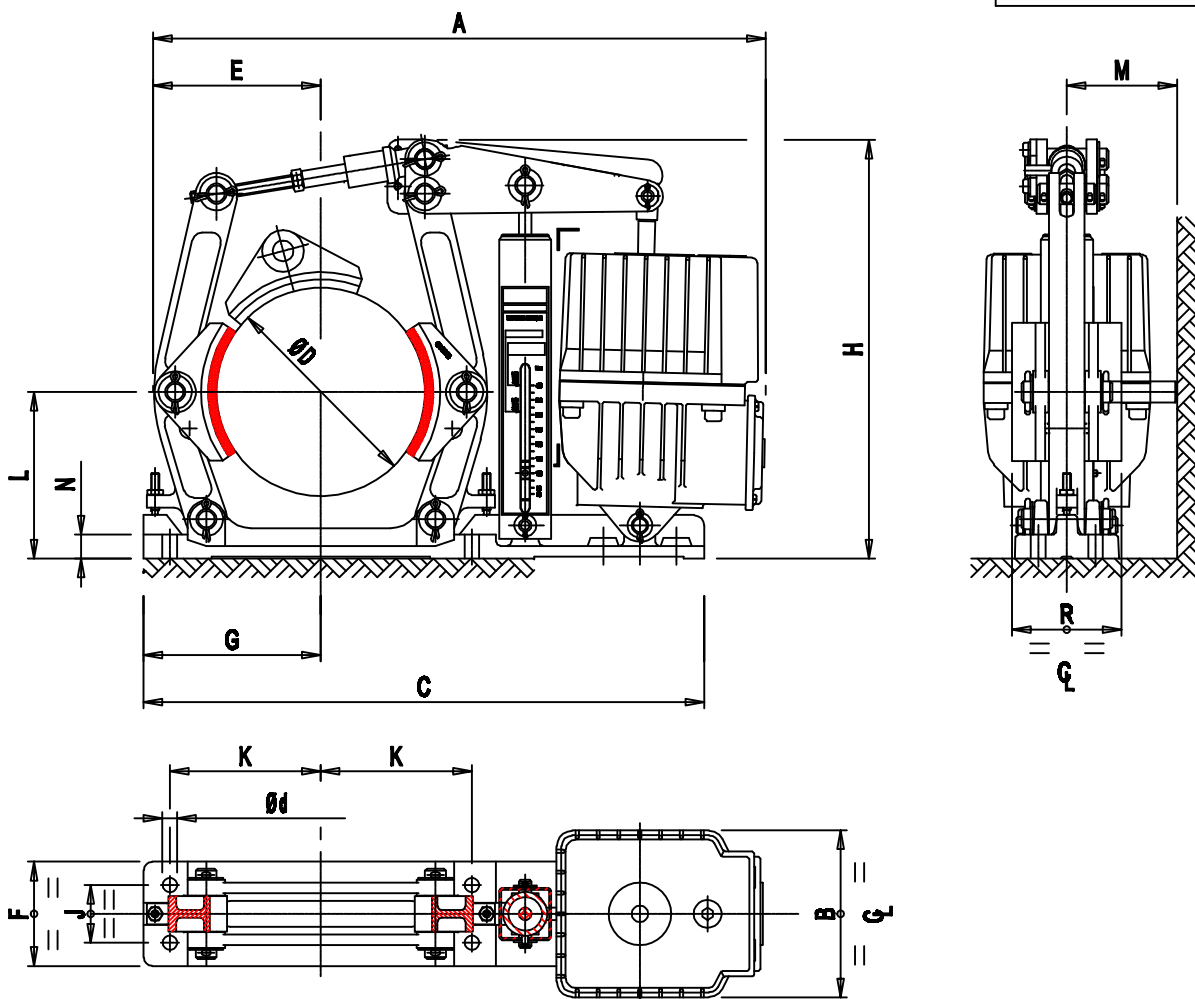


All dimensions are in m.m.



Brake Type	Thrustor size KED-	Torque Range In Nm at $\mu = 0,4$	A	B	C	D	E	F	G	H	J	K	L	M	N	P	Q	R	d	kg** (Approx)
KBT 200	23/6	50 - 300	640	160	515	200	170	90	160	475	55	145	160	115	10	75	70	96	14	30
	30/6	85 - 400	640	160						475										
KBT 250	23/6	40 - 325	760	160	625	250	210	110	200	550	65	180	190	133	10	95	90	113	18	40
	30/6	40 - 450	760	160						550										
	50/6	100 - 850	800	195						580										
KBT 315	23/6	70 - 420	885	160	735	315	260	125	240	660	80	220	230	160	10	118	110	135	18	50
	30/6	70 - 550	885	160						660										
	50/6	75 - 1050	925	195						660										
	80/6	90 - 1700	925	195						660										
KBT 400	30/6	80 - 575	1030	160	900	400	310	160	300	765	100	270	280	199	12	150	140	167	22	85
	50/6	100 - 1100	1075	195						775										
	80/6	100 - 1800	1075	195						775										
	121/6	125 - 2750	1075	240						775										
KBT 500	50/6	200 - 1400	1225	195	1025	500	385	190	355	870	130	325	340	242	13	190	180	202	22	130
	80/6	200 - 2200	1225	195						870										
	121/6	200 - 3400	1215	240						870										
	201/6	200 - 5400	1215	240						870										
KBT 630	121/6	500 - 3300	1365	240	1190	630	465	250	440	1000	170	400	420	295	15	236	225	244	27	206
	201/6	500 - 5500	1365	240						1000										
	301/6	500 - 8200	1365	240						1000										
KBT 710	121/6	500 - 3800	1500	240	1302	710	525	270	490	1100	190	450	470	332	15	265	255	276	27	268
	201/6	500 - 6300	1500	240						1100										
	301/6	500 - 9400	1500	240						1100										

**NOTE:**  
 \*WE RESERVE THE RIGHT TO CHANGE ANY DATA WITHOUT NOTICE.  
 \*ALL RIGHTS RESERVED.  
 \*THE FIGURE IS INDICATIVE & MAY APPEAR DIFFERENT FOR DIFFERENT SIZES OF BRAKES  
 \*\*WEIGHT MENTIONED IS WITHOUT THRUSTOR

R.NO. REV. SIGN & DATE

		NAME	SIGN
		Desn	
Dm	SHWETA		
Chd	M.BAHADUR		
Apd	M.BAHADUR		
Date	25-10-2010		

**ELECTRONIC & POWER CONTROL CO.**  
 BHILAI - 490 026 (C.G.) INDIA

**G.A. DRAWING FOR THRUSTOR OPERATED BRAKES TYPE - KBT / KED**

DRG.NO. :EPCC/KBT/KED/2010/01

Scale: N.T.S.

Sheet: 1 of 1