

KAKKU ELLIPTICAL EDGE WOUND FECHRAL RESISTANCE ELEMENTS

SERIES K – 200 & K – 2000

SPECIAL FEATURES

- Grid Material is Fechral, (Chromium Aluminium Alloy) having low temperature co-efficient of resistance and high specific resistance.
- Non-corrodible, unbreakable, shock and vibration resistant having high rate of heat dissipation and deoxidising properties.
- Draw out design for ease of maintenance.
- All steel parts are anti-rust coated.
- Long Life.

APPLICATION

KAKKU Elliptical Edge Wound Fechral Resistance Elements are used in resistance boxes for use in power circuits with working voltages upto 500V and for varied applications such as:

- Starting and dynamic braking resistors of Electric locos.

- Starters, Controllers, Regulators & Slip resistors for A.C. Slipring motors.
- Starters for D.C. machine.
- Loading resistors for generators and secondaries of transformers.
- Field discharge resistors of synchronous machines.
- Crane duty resistors.
- Neutral earthing resistors of sub-stations.
- A.C. motor primary resistors starters.

CONSTRUCTION

The resistance element is made from edge wound strips, elliptical shape. Resistance coil is assembled with a set of insulators on a mounting steel frame such that there is no chance of the grid getting damaged due to vibration. The ends of the edge wound coil of the element are brazed with stainless steel terminals.

TECHNICAL DATA

Ambient Temperature : 55° C
 Rated Voltage : 500 V AC or DC.
 Maximum Temperature : 375° C above ambient temp. of 55° C
 Temp. co-efficient of resistivity at 200°C to 450°C : 0.00012 to 0.00019
 Electrical resistivity : 122 micro-ohm-cm at 20° C
 Tensile strength : 63 Kg/ mmsq.
 Melting point : 1510° C
 Co-efficient of linear expansion : 0.000012
 Resistance and Current: See table -I
 Value

ORDERING INFORMATION

- Give KAKKU Type.
- Indicate resistance value and current value.

TABLE - I

Type	Resistance Value (Ohms.)	Current Value (Amps.)	Eqvt. to BHEL Type	Type	Resistance Value (Ohms.)	Current Value (Amps.)	Eqvt. to BHEL Type
K – 201	0.144	136	D – 201	K – 233	1.618	40	D – 233
K – 202	0.165	128	D – 202	K – 234	0.237	10	D – 234
K – 203	0.192	116	D – 203	K – 235	0.550	70	D – 235
K – 204	0.242	106	D – 204	K – 236	0.368	86	D – 236
K – 205	0.281	98	D – 205	K – 237	0.101	164	D – 237
K – 206	0.331	93	D – 206	K – 238	0.251	102	D – 238
K – 207	0.388	84	D – 207	K – 239	0.358	87	D – 239
K – 208	0.468	76	D – 208	K – 240	0.137	140	D – 240
K – 209	0.574	68	D – 209	K – 241	0.297	95	D – 241
K – 210	0.674	64	D – 210	K – 242	0.158	130	D – 242
K – 211	0.785	58	D – 211	K – 243	0.151	134	D – 243
K – 212	0.969	58	D – 212	K – 244	0.129	144	D – 244
K – 213	1.178	45	D – 213	K – 245	0.319	92	D – 245
K – 214	1.40	44	D – 214	K – 246	0.115	153	D – 246
K – 215	1.765	39	D – 215	K – 247	0.122	148	D – 247
K – 216	2.10	36	D – 216	K – 248	0.378	84	D – 248
K – 217	0.329	92	D – 217	K – 249	1.340	45	D – 249
K – 218	0.209	114	D – 218	K – 250	0.183	121	D – 250
K – 219	0.389	85	D – 219	K – 251	0.126	146	D – 251
K – 220	0.245	108	D – 220	K – 252	0.096	175	D – 252
K – 221	0.223	110	D – 221	K – 253	0.175	124	D – 253
K – 222	0.194	118	D – 222	K – 254	0.209	113	D – 254
K – 223	0.455	77	D – 223	K – 255	0.234	107	D – 255
K – 224	0.994	54	D – 224	K – 256	0.261	101	D – 256
K – 225	1.152	49	D – 225	K – 257	0.488	73	D – 257
K – 226	0.835	57	D – 226	K – 258	0.309	94	D – 258
K – 227	0.108	158	D – 227	K – 259	0.281	100	D – 259
K – 228	0.172	123	D – 228	K – 260	0.266	101	D – 260
K – 229	0.216	112	D – 229	K – 261	0.194	118	D – 261
K – 230	0.690	62	D – 230	K – 262	0.373	86	D – 262
K – 231	0.416	80	D – 231	K – 263	1.980	36	D – 263
K – 232	0.397	80	D – 232	K – 264	0.240	106	D – 264

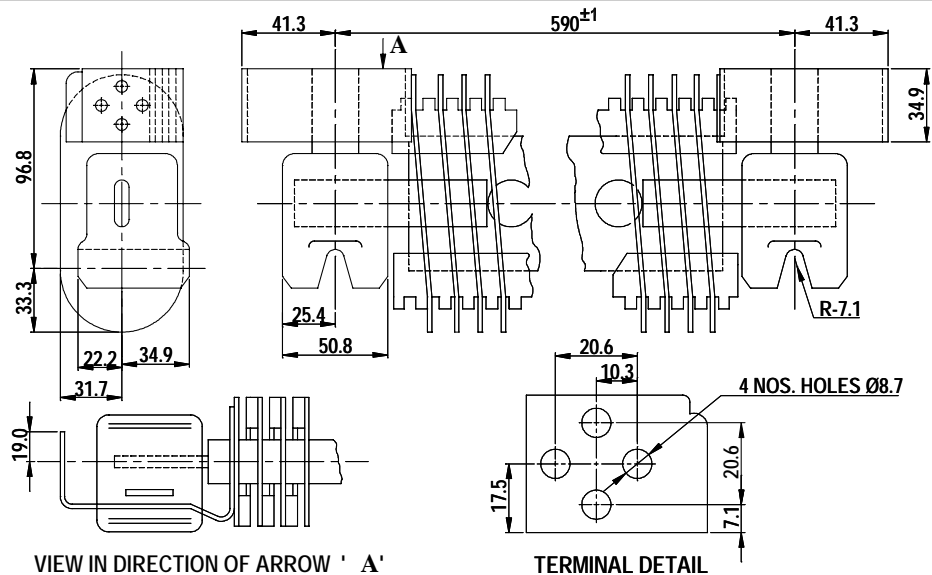


Symbol Of Reliability

Type	Resistance Value (Ohms.)	Current Value (Amps.)	Eqvt. to BHEL Type
K - 265	0.120	149	D - 265
K - 266	0.492	79	D - 266
K - 267	0.346	87	D - 267
K - 268	0.271	100	D - 268
K - 269	2.44	33	D - 269
K - 270	0.331	90	D - 270
K - 271	0.138	140	D - 271
K - 272	0.672	64	D - 272
K - 273	0.695	63	D - 273
K - 274	0.527	71	D - 274
K - 275	0.288	96	D - 275
K - 276	0.454	77	D - 276
K - 277	0.202	115	D - 277
K - 278	0.259	102	D - 278
K - 279	0.204	115	D - 279
K - 280	0.624	65	D - 280
K - 281	0.504	73	D - 281
K - 282	0.391	83	D - 282
K - 283	1.08	50	D - 283
K - 284	0.540	71	D - 284
K - 285	0.508	74	D - 285
K - 286	0.338	89	D - 286
K - 287	1.148	42	D - 287
K - 288	0.156	132	D - 288
K - 289	2.78	31	D - 289
K - 290	0.273	98	D - 290
K - 291	1.74	39	D - 291
K - 292	3.31	27.5	D - 292
K - 293	1.97	37	D - 293
K - 294	0.168	127	D - 294
K - 295	0.174	126	D - 295
K - 296	0.102	162	D - 296
K - 297	1.52	42	D - 297

Type	Resistance Value (Ohms.)	Current Value (Amps.)	Eqvt. to BHEL Type
K - 298	2.28	34	D - 298
K - 299	4.17	25	D - 299
K - 2000	0.428	79	D - 2000
K - 2001	3.40	28	D - 2001
K - 2002	0.744	60	D - 2002
K - 2003	1.017	51	D - 2003
K - 2004	1.301	45	D - 2004
K - 2005	1.64	40	D - 2005
K - 2006	1.45	43	D - 2006
K - 2007	0.144	137	D - 2007
K - 2008	0.299	95	D - 2008
K - 2009	0.217	112	D - 2009
K - 2010	0.305	94	D - 2010
K - 2011	2.64	33	D - 2011
K - 2012	0.187	120	D - 2012
K - 2013	4.84	23	D - 2013
K - 2014	0.566	70	D - 2014
K - 2015	0.114	153	D - 2015
K - 2016	0.828	56	D - 2016
K - 2017	1.27	45	D - 2017
K - 2018	0.335	89	D - 2018
K - 2019	1.094	49	D - 2019
K - 2020	0.951	53	D - 2020
K - 2021	1.24	46	D - 2021
K - 2022	1.26	46	D - 2022
K - 2023	0.282	97	D - 2023
K - 2024	0.503	72	D - 2024
K - 2025	0.602	67	D - 2025
K - 2026	0.793	57	D - 2026
K - 2027	0.648	64	D - 2027
K - 2050	1.512	41	D - 2050
K - 2051	1.63	40	D - 2051
K - 2052	3.047	28	D - 2052

SERIES K-200 & K-2000
Dimensions (mm)



Product improvement is a continuous process at KAKKU. Hence data given in this catalogue is subject to revision without notice

Electronic & Power Control Co.

(AN ENTERPRISE OF KAKKU E & P CONTROL (P) LTD.)
1, Industrial Estate, Bhilai 490 026,
(Chhattisgarh) INDIA.



Symbol Of Reliability

Tel : 91-788-2382610, 2382297
Fax : 91-788-2381797, 2321836
E-mail : kakku_bhilai@yahoo.com

