

KAKKU HEAVY DUTY SNAP ACTION LIMIT SWITCHES

TYPE KRLS -340

TECHNICAL DATA

Housing : Cast Aluminium housing with detachable steel cover.

Protection : IP-65 (or 67 optionally)

Contacts : Double pole 2NO + 2NC change over contacts.

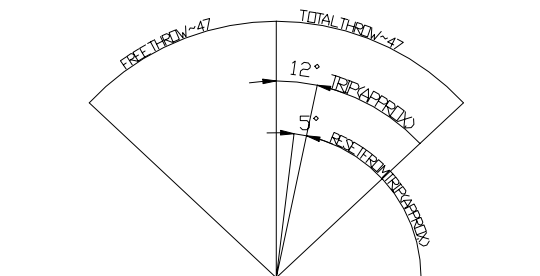
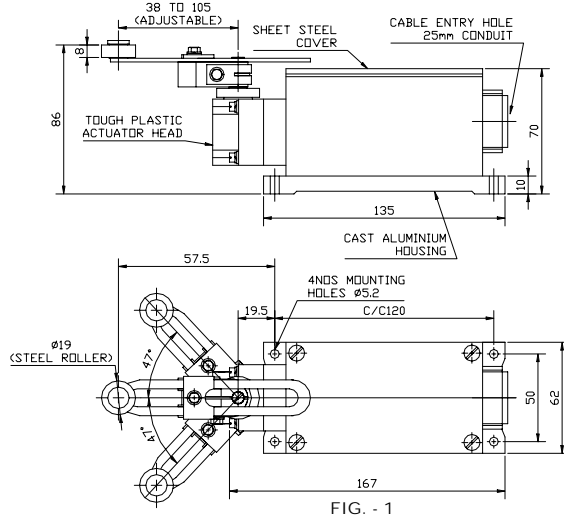
Switching frequency : 2000 operations per hour.

Electrical & Mechanical : 20 million operations

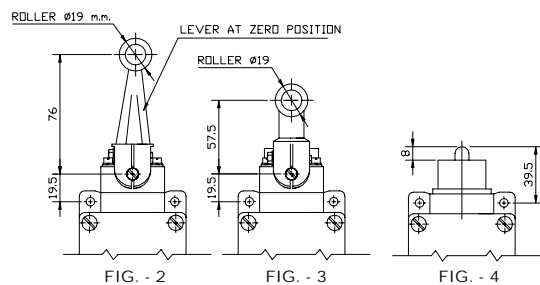
Rated Insulation Voltage : 500V AC or DC

Rated Thermal Current : 15A

Types	Contacts	Fig. No.	Lever Arrangement
KSA-341	1NO+1NC	3	38 mm St Roller lever
KSA-343	1NO+1NC	2	76 mm St Roller Lever
KSA-344	1NO+1NC	1	Adjustable Roller Lever
KSA-345	2NO+2NC	4	Push Rod Actuator
KSA-346	2NO+2NC	3	38 mm St Roller Lever
KSA-347	2NO+2NC	2	76 mm St Roller Lever
KSA-347	2NO+2NC	1	Adjustable Roller Lever
KSA-348	2NO+2NC	4	Push Rod Actuator



Lever Operating Diagram



Product improvement is a continuous process at KAKKU. Hence data given in this catalogue is subject to revision without notice.

Electronic & Power Control Co.
 (AN ENTERPRISE OF KAKKU E & P CONTROL (P) LTD.)
 1, Industrial Estate, Bhilai 490 026,
 (Chhattisgarh) INDIA.



Symbol Of Reliability

Tel : 91-788-2382610, 2382297
 Fax : 91-788-2381797, 2321836
 E-mail : kakku_bhilai@yahoo.com