

KAKKU HEAVY DUTY DRUM CONTROLLERS

SERIES KDC

SPECIAL FEATURES

- Noted for ease of assembly, disassembly and adjustments as well as free access to all the parts.
- Make and break type of contacts having self wiping action ensuring best contact life & minimum contact wear.
- Contact blocks and contacts are of sturdy construction and proven design.
- Steering type driving wheel ensures minimum fatigue.
- Liberal design for long & trouble free performance.
- Sturdy ball bearings provided in the cam shaft.
- Replaces types : HT51 & 52 (-erst while USSR type)

RATINGS

Insulation Voltage	:	500V
Supply Voltage	:	415V AC or 440V DC.
45% CDF	:	75A
Continuous Current	:	50A
Permissible switchings	:	600 operations per hour.

TYPES

KDC – 51 : KAKKU Drum Controllers type KDC – 51 are used to govern slipping Induction motors of moving and lifting mechanisms & have a symmetrical connection diagram.

KDC – 52 : KAKKU Drum Controllers type KDC – 52 are used for simultaneous operations of two slipping Induction motors.

APPLICATION

KAKKU Heavy Duty Drum Controllers Series KDC are designed to start A.C. slipping motors and to regulate their speed by varying the main circuit or the excitation circuit & value of resistances connected in the circuit. These drum controllers offer a very reliable performance in Electric Winches & EOT Cranes.

STANDARD CONTACT SEQUENCE :

Indicating below.

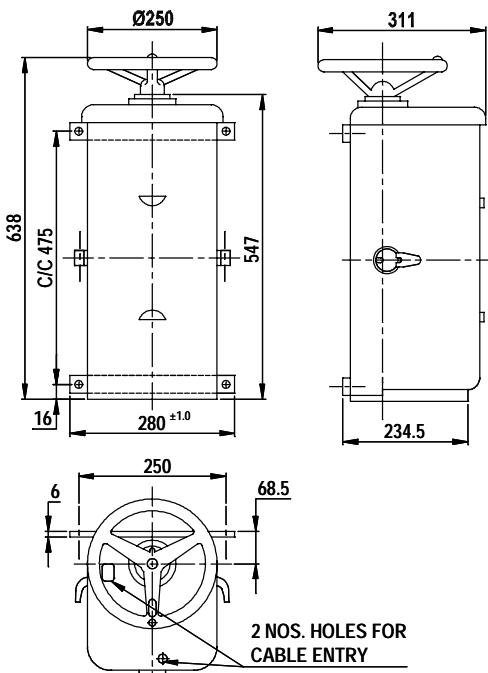
TECHNICAL DATA

Ambient Temperature	:	55°C.
Mounting	:	Wall Mounting
Maximum No. of operating positions	:	5 – 0 – 5
Enclosure	:	Protected against harmful deposit of dust and drops of water.
Cable Entry	:	Two holes at bottom.
Maximum No. of contacts/ circuits	:	13

ORDERING INFORMATION

- Give KAKKU type.
- No. of operating positions or steps.
- Contact sequence chart indicating opening/ closing position of each contact in every position of the controller in case of different circuit diagram than indicated.
- Name plate details of operation i.e. 'HOIST LOWER', 'FORWARD – REVERSE' etc.
- Epoxy paint for special application.

SERIES KDC
Dimensions (mm)



DRUM CONTROLLER
Type : KDC – 51 & KDC - 52

STANDARD CONTACT SEQUENCE

KDC – 51												KDC - 52												
	5	4	3	2	1	0	1	2	3	4	5		5	4	3	2	1	0	1	2	3	4	5	
1																								
2	X												X											
3	X	X											X	X										
4	X	X	X										X	X	X									
5	X	X	X	X									X	X	X	X								
6	X	X	X	X	X								X	X	X	X	X							
7	X	X	X	X	X	X							X	X	X	X	X	X						
8	X	X	X	X	X	X	X						X	X	X	X	X	X	X					
9	X	X	X	X	X	X	X	X					X	X	X	X	X	X	X	X				
10	X	X	X	X	X	X	X	X	X				X	X	X	X	X	X	X	X	X			
11	X	X	X	X	X	X	X	X	X	X			X	X	X	X	X	X	X	X	X	X		
12	X	X	X	X	X	X	X	X	X	X	X		X	X	X	X	X	X	X	X	X	X	X	
13	X	X	X	X	X	X	X	X	X	X	X	X	X	X	X	X	X	X	X	X	X	X	X	

Product improvement is a continuous process at KAKKU. Hence data given in this catalogue is subject to revision without notice.

Electronic & Power Control Co.
(AN ENTERPRISE OF KAKKU E & P CONTROL (P) LTD.)
1, Industrial Estate, Bhilai 490 026,
(Chhattisgarh) INDIA.



Symbol Of Reliability

Tel : 91-788-2382610, 2382297
Fax : 91-788-2381797, 2321836
E-mail : kakku_bhilai@yahoo.com