

KAKKU MASTER CONTROLLERS

SERIES MSS

SPECIAL FEATURES

Provided with Silver Alloy contact tips suitable for heavy duty operation.

The contacts operate with wiping action to prevent the deposition of harmful carbon on contact tips. Therefore there is a reduced need for frequent maintenance.

The contact actuating lever is provided with rollers. The actuating cams strike against these rollers to open or close the contacts. Therefore contact block offers very high wear resistance.

Contact terminals are easily approachable for convenient wiring.

The master controllers are designed to operate reliably even under vibratory conditions.

Sturdy construction in sheet steel enclosures.

TECHNICAL DATA

| | |
|---------------------------------|---------------------|
| Ambient Temperature | : Upto 55°C |
| Degree of Protection | : IP-41 (or better) |
| Max. No. of operating positions | : 5 - 0 - 5 |

RATINGS

| Rated Voltage | Rated Thermal Current | Making Current | Breaking Current L/ R <0.01Sec. (Amps.) | | | |
|---------------|-----------------------|----------------|---|------|------|--------------|
| | | | D.C. | | | Upto 500V AC |
| | | | 110V | 220V | 440V | |
| Upto 500V AC | 10A | 25A | 0.5 | 0.3 | 0.1 | 5 |

SELECTION CHART

| Type | Max. No. of Contacts |
|--------------|----------------------|
| MSS - 08 - * | 08 |
| MSS - 12 - * | 12 |
| MSS - 16 - * | 16 |

* Suffix code S for stayput and R for spring return version.

SERIES MSS

Dimensions (mm)

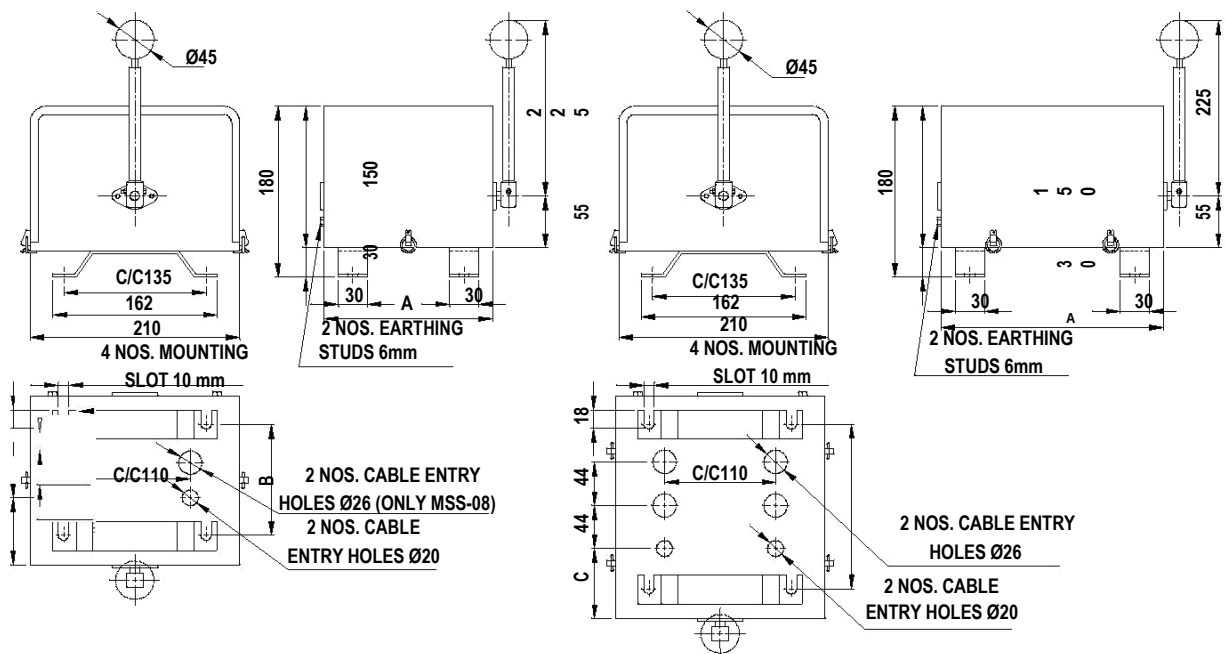


Fig 1 : MASTER CONTROLLER

| Type | Dimensions in (mm) | | |
|----------|--------------------|-----|------|
| | A | B | C |
| MSS - 04 | 125 | 75 | 62.5 |
| MSS - 08 | 175 | 105 | 69.5 |

| No. of Cable Entries | | |
|----------------------|-----|-----|
| Type | Ø20 | Ø26 |
| MSS - 04 | 02 | |
| MSS - 08 | 02 | 02 |

Fig 2 : MASTER CONTROLLER

| Type | Dimensions in (mm) | | |
|----------|--------------------|-----|------|
| | A | B | C |
| MSS - 12 | 225 | 165 | 68.5 |
| MSS - 16 | 275 | 215 | 71.5 |

| No. of Cable Entries | | |
|----------------------|-----|-----|
| Type | Ø20 | Ø26 |
| MSS - 12 | 02 | 04 |
| MSS - 16 | 02 | 06 |

Product improvement is a continuous process at KAKKU. Hence data given in this catalogue is subject to revision without notice.

Electronic & Power Control Co.

(AN ENTERPRISE OF KAKKU E & P CONTROL (P) LTD.)
1, Industrial Estate, Bhilai 490 026,
(Chhattisgarh) INDIA.



Symbol Of Reliability

Tel : 91-788-2382610, 2382297
Fax : 91-788-2381797, 2321836
E-mail : kakku_bhilai@yahoo.com