

KAKKU JOY STICK OPERATED MASTER CONTROLLERS

SERIES MSC - 3400

SPECIAL FEATURES

- § Available as single axis controllers.
- § Double break contacts with high quality silver cadmium oxide contact tips having arc-retarding & anti-welding properties.
- § Cams and contact blocks of high grade phenolic fibrous moulding material having excellent electrical and mechanical properties.
- § Star wheel for positive notching at each step and pronounced notching at neutral..
- § **KAKKU** Joystick controllers are also noted for ease of assembly, dis-assembly & adjustments as well as free access to all the parts.
- § Long life with reliable performance and trouble free operation.

APPLICATION

KAKKU Joystick Controllers Series MSC-3400 are used for control of electric drives of EOT cranes, hoists, transfer cars, Grab-buckets, unloaders, steel mills, conveyors and other heavy material handling equipment.

TECHNICAL DATA

| | |
|----------------------------------|--|
| Ambient Temperature | : 55°C. |
| Mounting Arrangement | : Suitable for foot/ wall mounting. |
| Housing | : Metallic enclosure with sheet steel cover. |
| Enclosure Category | : As per IP-54 of IS :2147-1962. |
| Terminals | : Suitable for conductor size 2.5mm ² . |
| Operation | : Stayput. |
| Max. No. of operating positions. | : Upto 5 - 0 - 5 |
| Max. No. of contacts per circuit | |
| (a) Single Master Controller | : Upto 12 |

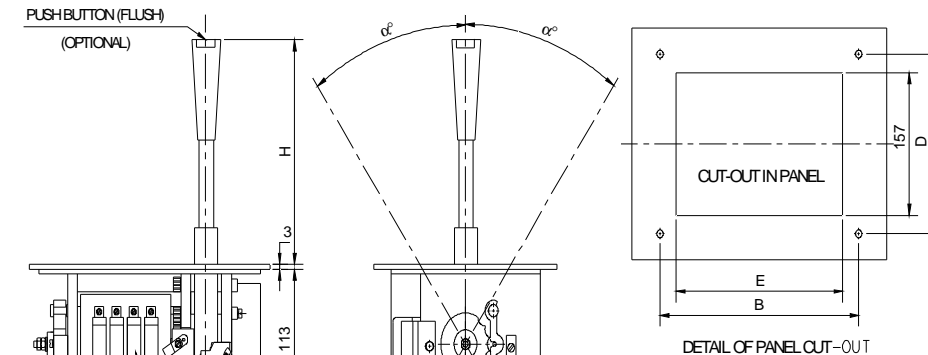
RATINGS

| | |
|-------------------------------------|-------------|
| Rated Voltage AC or DC | : Upto 500V |
| Continuous Current | : 10A |
| Making Current | : 40A |
| (Upto 500V AC) | |
| Breaking Current at inductive loads | |
| 110V DC | : 2.5A |
| 220V DC | : 1.5A |
| Upto 500V AC | : 10.0A |

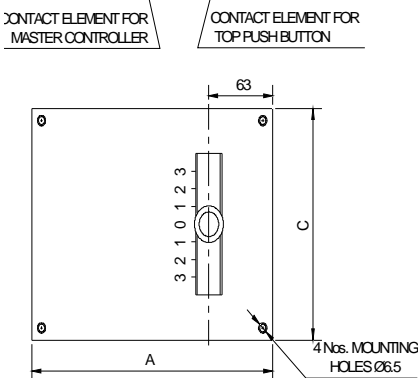
OPTIONAL EXTRA

- Enclosure as per IP 41/54
- Spring Return handle
- Deadman contact

SERIES MSC-3400 Dimensions (mm)



| OPERATION | ANGLE | DIM H |
|-----------|-------|-------|
| 1-0-1 | 18 | 130 |
| 2-0-2 | 36 | 177 |
| 3-0-3 | 54 | |



| NO OF CONTACTS | A | B | C | D | E |
|----------------|-----|-----|-----|-----|-----|
| 4 | 205 | 185 | 190 | 174 | 172 |
| 6 | 235 | 215 | 190 | 174 | 202 |
| 8 | 265 | 245 | 190 | 174 | 232 |

Product improvement is a continuous process at KAKKU. Hence data given in this catalogue is subject to revision without notice.

Electronic & Power Control Co.

(AN ENTERPRISE OF KAKKU E & P CONTROL (P) LTD.)
1, Industrial Estate, Bhilai 490 026,
(Chhattisgarh) INDIA.



Symbol Of Reliability

Tel : 91-788-2280610, 2286494
Fax : 91-788-2281797
E-mail : sales@kakkuindia.com
Website : www.kakkuindia.com