

All dimensions are in mm.

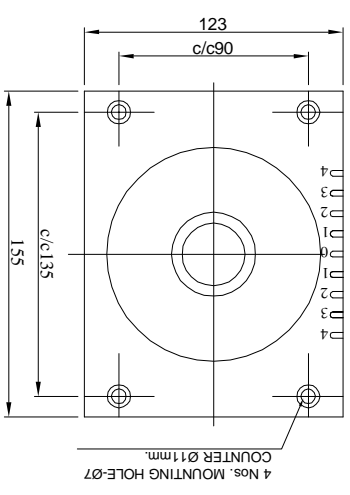
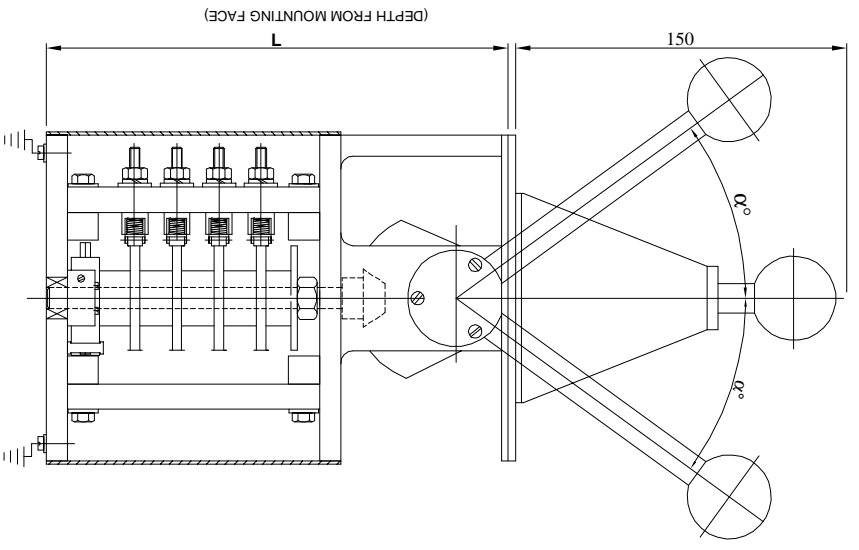
TECHNICAL DATA

Ambient Temperature	: 55°C
Mounting Arrangement	: Suitable for mounting on control desk / Panel.
Terminals	: Suitable for conductor size 2.5mm ² .
Operation	: Stayput.
Operating Positions.	: 5-0-5 max. (optional)


RATING

Rated Voltage AC	: Upto 500V
Continuous Current	: 10A
Making Current	: 50A

- Notes :
1. The master controllers are provided with Double Break contacts.
 2. The length "L" of the master controllers depends on the no. of contacts & Possibility of using one cam for two contacts, depending on the contact sequence of the controller. Hence the dimension L mentioned in the table below is max. & Indicative only.
 3. $\infty^\circ = 40$ degrees for 5-0-5 position. The angular deflection between 0 to 1 position is 12 degrees and for each subsequent position, 7 degrees.



TYPE	NO. OF CONTACTS USED IN EACH DIRECTION	DIMENSION L(mm) (Max.)
MSC-5800S/8	8	262
MSC-5800S/10	10	315
MSC-5800S/12	12	365

		ELECTRONIC & POWER CONTROL CO. BHILAI-490026	
Desn	NAME	SIGN	DRG. NO. : EPCC/MSC-5800S/01/01
Drm	SHWETA		TOTAL NO. OF SHEETS
Chd	M.BAHADUR		Scale: N.T.S.
Apd	N.BAHADUR		Sheet: of
Date	24-03-2008	SIGN & DATE	
R.NO.	REV.		