

KAKKU JOY STICK OPERATED MASTER CONTROLLERS

SERIES MSC – 5800

SPECIAL FEATURES

- Available as single or dual master controllers.
- Double break contacts with high quality silver cadmium oxide contact tips having arc-retarding & anti-welding properties.
- Provided with special rubber gaskets on the cover to make it dust proof.
- Cams and contact blocks of high grade phenolic fibrous moulding material having excellent electrical and mechanical properties.
- Star wheel for positive notching at each step and pronounced notching at neutral.
- Universal design for both AC & DC applications.
- KAKKU** Master controllers are also noted for ease of assembly, dis-assembly & adjustments as well as free access to all the parts.
- Contact sequence chart pasted on inside face of cover.
- Long life with reliable performance and trouble free operation.

APPLICATION

KAKKU Joystic Master Controllers Series MSC-5800 are used for control of electric drives of EOT cranes, hoists, transfer cars, Grab-buckets, unloaders, steel mills, conveyors and other heavy material handling equipment.

SELECTION CHART

Type	Max. No. of Contacts
MSC-5800 / 8	Upto 8
MSC-5800 / 12	Upto 12
MSC-5800 / 14	Upto 14
MSC-5800 / 16	Upto 16
MSC-5800 / 24	Upto 24

- Add suffix "D" for universal / dual controller.
- Add suffix "SR" for spring return.

TECHNICAL DATA

Ambient Temperature	: 55°C.
Mounting Arrangement	: Suitable for foot/ wall, panel & control desk mounting
Terminals	: Suitable for conductor size 2.5mm ² .
Operation	: Stayput / Spring return
Max. No. of operating positions.	: Upto 5 – 0 – 5
Max. No. of contacts per circuit	
(a) Single Master Controller	: Upto 24
(b) Dual Master Controller	: Upto 16

RATINGS

Rated Voltage AC or DC	: Upto 500V
Continuous Current	: 20A
Making Current (Upto 500V AC)	: 50A
Breaking Current at inductive loads	
110V DC	: 2.5A
220V DC	: 1.5A
Upto 500V AC	: 10.0A

OPTIONAL EXTRAS

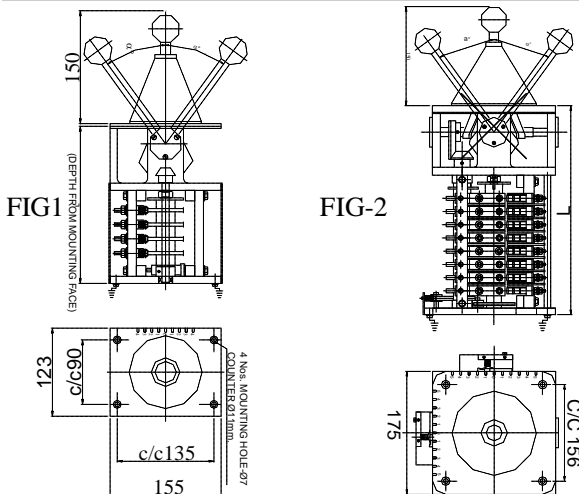
- Enclosure as per IP –41.
- Spring return of handle to neutral.
- Dead man handle with contact
- Special type of handle. (furnish drawing)

ORDERING INFORMATION

- Give **KAKKU** type.
- No. of operating positions or steps.
- Contact sequence chart indicating opening & closing of each contact in every position of the controller.
- Name plate details of operation i.e. 'HOIST – LOWER', 'FORWARD – REVERSE' etc.
- Single or universal operation (dual controller)
- Specify optional extras if any.

SERIES MSC-5800

Dimensions (mm)



TYPE FIG-1	NO. OF CONTACTS USED IN EACH DIRECTION	DIMENSION L(mm) (Max.)
MSC-5800S/8	8	262
MSC-5800S/10	10	315
MSC-5800S/12	12	365

TYPE FIG-2	NO. OF CONTACTS USED IN EACH DIRECTION	DIMENSION L(mm) (Max.)
MSC-5800DX8	8	308
MSC-5800DX10	10	349
MSC-5800DX12	12	408

Product improvement is a continuous process at KAKKU. Hence data given in this catalogue is subject to revision without notice.

Electronic & Power Control Co.
 (AN ENTERPRISE OF KAKKU E & P CONTROL (P) LTD.)
 1, Industrial Estate, Bhilai 490 026,
 (Chhattisgarh) INDIA.



Symbol Of Reliability

Tel : 91-788-2280610, 2283297
 Fax : 91-788-2381797,
 E-mail : kakku_bhilai@yahoo.com
 Website : www.kakkuindia.com

This document was created with Win2PDF available at <http://www.win2pdf.com>.
The unregistered version of Win2PDF is for evaluation or non-commercial use only.
This page will not be added after purchasing Win2PDF.