

# KAKKU ARMCHAIR CONTROL UNIT TYPE KARM

## SPECIAL FEATURES

- Ergonomical design to ensure greater safety and comfort, more effective results, higher productivity & low pay back period.
- Complete unit can rotate upto desired angle of rotation.
- Adjustable chair according to the height of the operator.
- Adjustable arm rest.
- Sliding arrangement of chair.
- Smooth master controllers for fatigue less operation.
- Provided with push buttons, indicating lamps etc
- Wired upto junction box.

## APPLICATION

1. E.O.T. crane cabins.
2. Shovel cabins.
3. Other material handling equipments.

## EQUIPMENTS MOUNTED

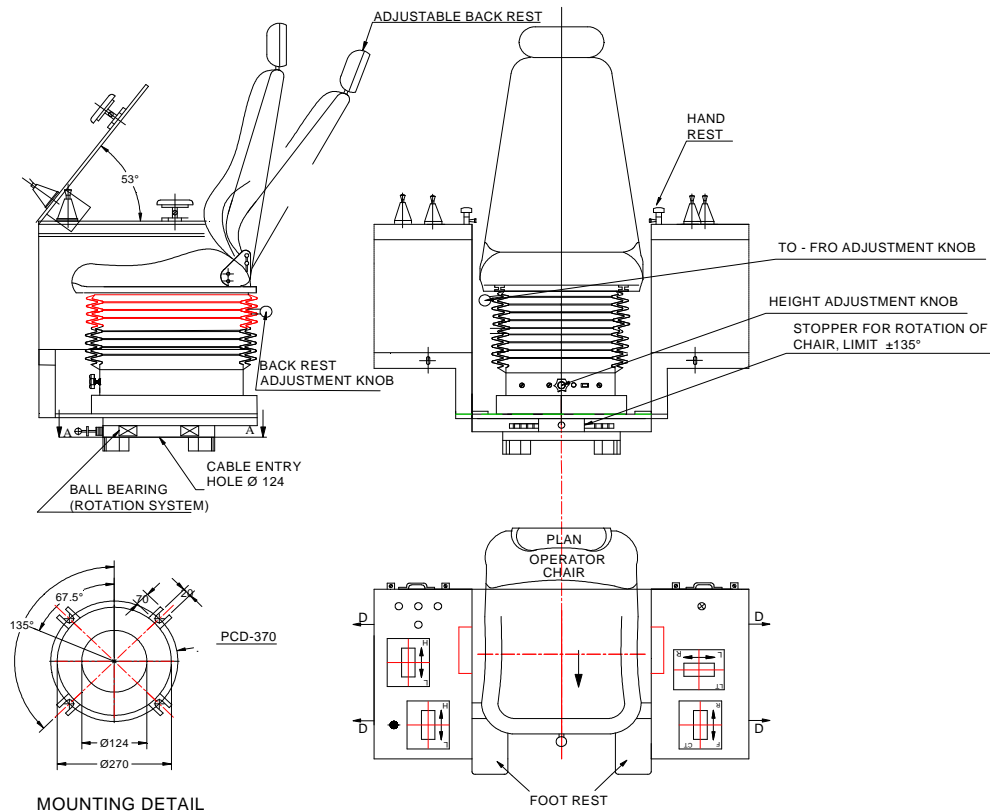
1. Master controllers
2. Push buttons
3. Indicating lamps
4. Control switches
5. Emergency stop switch
6. Foot switch

## OPTIONAL EXTRAS

1. Mounting arrangement for P.C. screen, telephone, intercom & microphone etc.
2. Seat covers
3. Junction box

## ORDERING INFORMATION

1. Cabin dimensions
2. Number of Master controllers required with number of steps, number of contacts & programme/ contact sequence.
3. Details of indicating lamps & pushbuttons.
4. Angle of rotation of unit as desired.
5. Optional extras if any.



*Product improvement is a continuous process at KAKKU. Hence data given in this catalogue is subject to revision without notice.*

## Electronic & Power Control Co.

(AN ENTERPRISE OF KAKKU E & P CONTROL (P) LTD.)  
1, Industrial Estate, Bhilai 490 026,  
(Chhattisgarh) INDIA.



Symbol Of Reliability

Tel : 91-788-2382610, 2382297  
Fax : 91-788-2381797, 2321836  
E-mail : kakku\_bhilai@yahoo.com  
Website : [www.kakkuindia.com](http://www.kakkuindia.com)