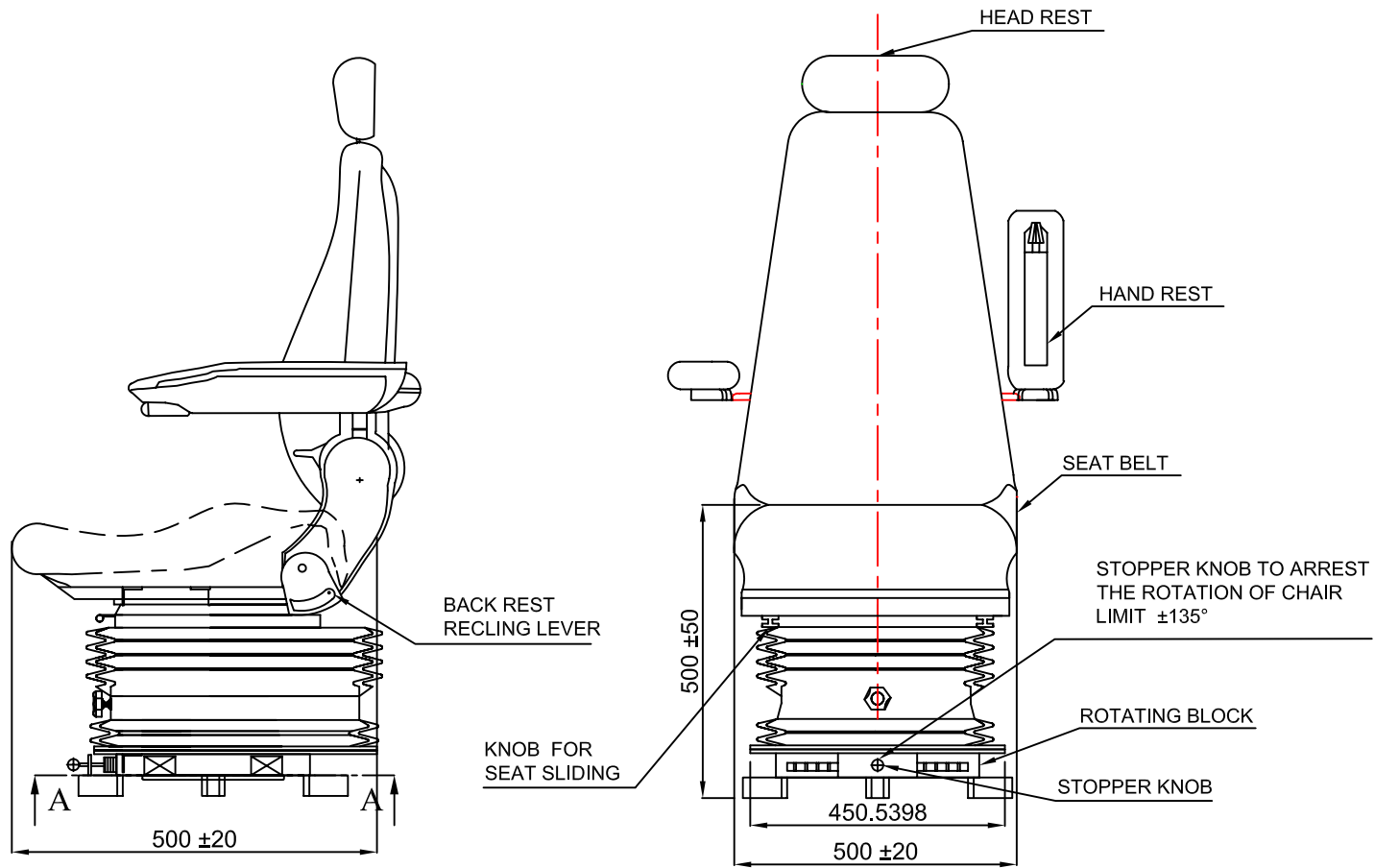
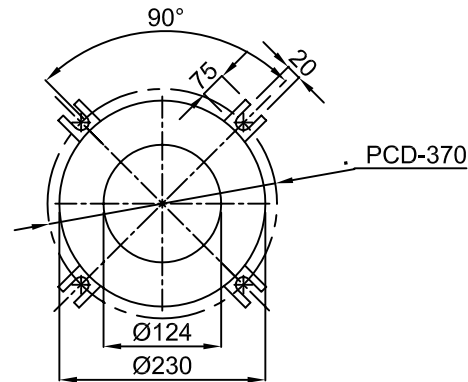



All dimensions are in m.m.



MOUNTING DETAILS



SECTION A-A

		ELECTRONIC & POWER CONTROL CO. BHILAI-490026	
		G. A. DRG. FOR OPERATOR CHAIR TYPE - KOC - 02	
Desn	NAME	SIGN	
Drn	SHWETA		
Chd	S.CHAUHAN		DRG.NO.:EPCC/ KARM- KOC-02
Apd	M.BAHADUR		TOTAL NO. OF SHEETS :
Date	07-08-2010		Scale: NTS
R.NO.	REV.	SIGN & DATE	Sheet: 1 of 1