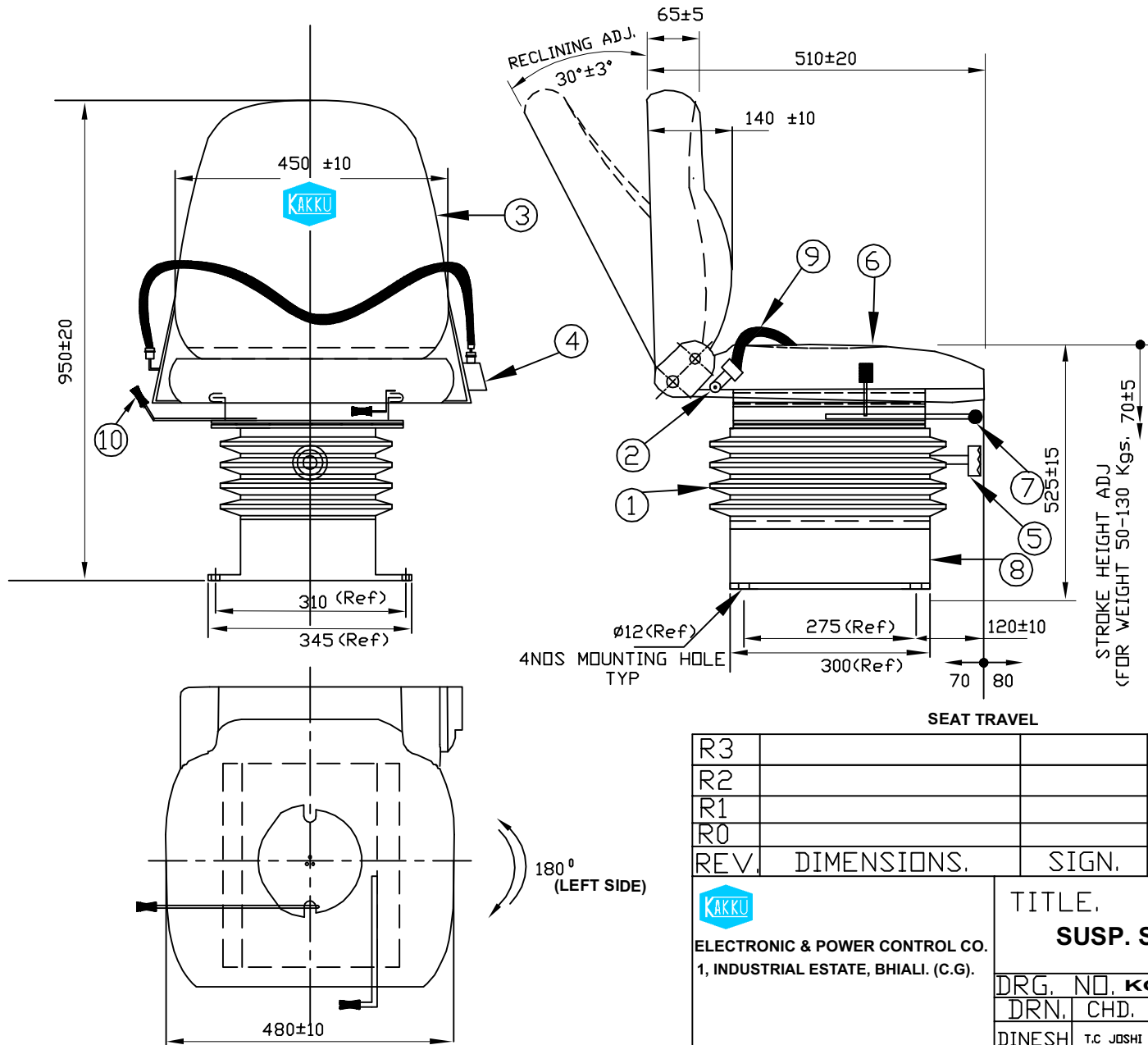


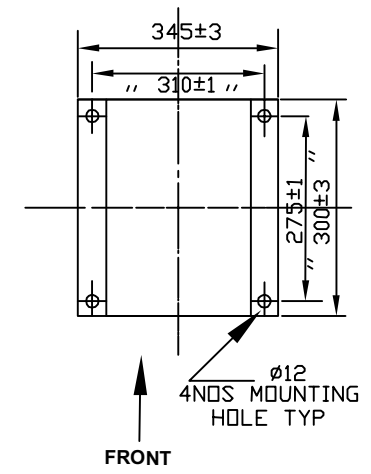
MODEL NO.  
PART NO.

COLOUR COMBINATION OF REXINE ( GREY )



| Sl. No | DESCRIPTION                |
|--------|----------------------------|
| 1      | SUSP. ASSY WITH BELLOW     |
| 2      | SEAT BELT MNTG NUT         |
| 3      | SEAT BACK                  |
| 4      | RECLINING KNOB             |
| 5      | KNOB FOR WEIGHT ADJUSTMENT |
| 6      | SEAT BASE-                 |
| 7      | LEVER FOR SLIDING          |
| 8      | SEAT BASE MNTG BOX         |
| 9      | SEAT BELT                  |
| 10     | TURN TABLE HANDLE          |

SEAT MOUNTING DETAILS



|  |             |                                   |           |                         |            |
|--|-------------|-----------------------------------|-----------|-------------------------|------------|
| R3   |             |                                   |           |                         |            |
| R2   |             |                                   |           |                         | MATL - STD |
| R1   |             |                                   |           |                         |            |
| R0   |             |                                   |           |                         |            |
| REV.   | DIMENSIONS. | SIGN.                             | DATE      |                         | QTY.-1.    |
| <br>ELECTRONIC & POWER CONTROL CO.<br>1, INDUSTRIAL ESTATE, BHIALI. (C.G.) |             | TITLE.<br><b>SUSP. SEAT ASSY.</b> |           | ALL DIMENSION<br>IN MM  |            |
| DRG. NO. KOC-120.  |             | DRN.                              | CHD.      | APPD.                   | DATE       |
|  |             | DINESH                            | T.C JOSHI | AK SHARMA               | 11-12-10   |
|  |             |                                   |           | SCALE-NTS.<br>REV.-R.00 |            |