

# KAKKU CLAPPER TYPE D.C CONTACTOR

TYPE KPD-121

## SPECIAL FEATURES

- Long electrical and Mechanical life.
- High vibration with-standing capability.
- High frequency of operation.
- Large creepage distance for trouble free operation in harsh industrial environment.
- Easy accessibility to all the components to ensure quick maintenance and minimum down time.
- Provided with 1 NO+1NC auxiliary contacts.
- Designed for severe duty under adverse conditions.

## APPLICATION

KAKKU DC Contactor series KPD are designed for closing and opening electrical power circuit in industrial installation. The contactor are intended for application in DC power circuits. The sturdy construction of these contactors enhances their dependability in demanding applications in steel, power and paper plants, in mines, in Cranes, foundries and in traction.

## TECHNICAL DATA

Insulation voltage	:	600 V
Ambient Temperature	:	-10°C to +45°C
Altitude	:	upto 1000 M
Operating Coil Voltage	:	110 / 220 V DC (-15%, + 5%)
Insulation Class	:	Class F
Mounting	:	Vertical
Coil consumption	:	26 W (Approx)
Maximum frequency of operation	:	1200
Connection	:	Front connections
Arc-Chutes	:	Contactors are provided with blow out coils and arc-chutes for its efficient operation and long contact life.
Eqvt. To	:	Erstwhile USSR type KIID-121T

## SELECTION CHART

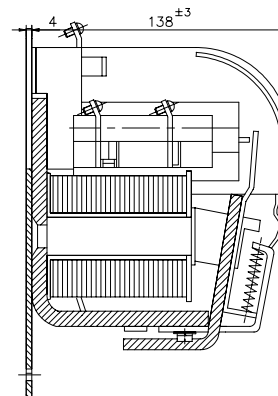
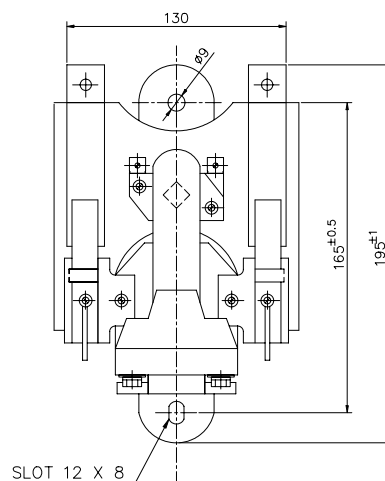
Table-1

TYPE	NO. OF MAIN CONTACTS	CONTINUOUS **CURRENT (A)
KPD-121(A)	2	5
KPD-121(B)	2	10
KPD-121(C)	2	25
KPD-121(D)	2	63

## Switching Capacities of DC Auxillary Contacts

Cont. duty rating (Amp)	Make Current (Amp)		Break Current (Amp)			
	110 V	220 V	Resistive load		Inductive load	
			110 V	220 V	110 V	220 V
10	15	8	5	2	2.5	1

\*\* Suitable for Inductive load like shunt & series motors having L/R < 10 ms



*Product improvement is a continuous process at KAKKU. Hence data given in this catalogue is subject to revision without notice.*

## Electronic & Power Control Co.

(AN ENTERPRISE OF KAKKU E & P CONTROL (P) LTD.)  
1, Industrial Estate, Bhilai 490 026,  
(Chhattisgarh) INDIA.



Symbol Of Reliability

Tel : 91-788-2382610, 2382297  
Fax : 91-788-2381797, 2321836  
E-mail : kakku\_bhilai@yahoo.com